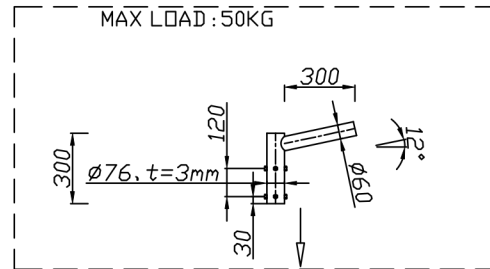


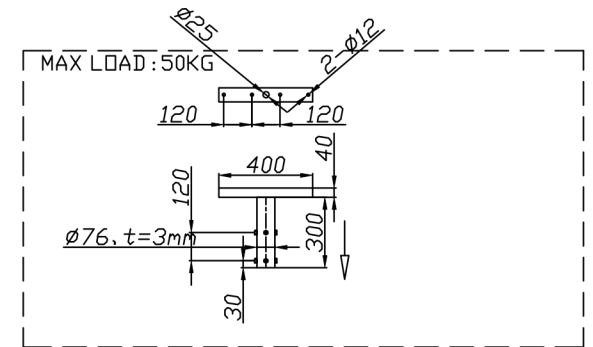
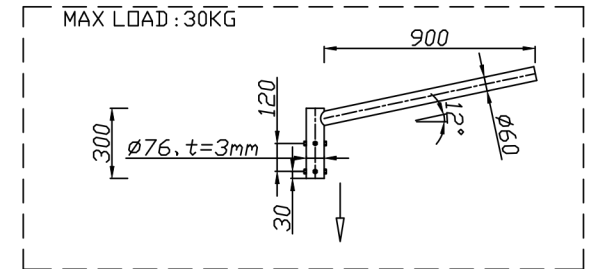
LPLPEA300

MAX LOAD : 50KG

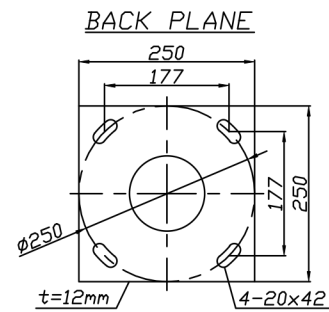
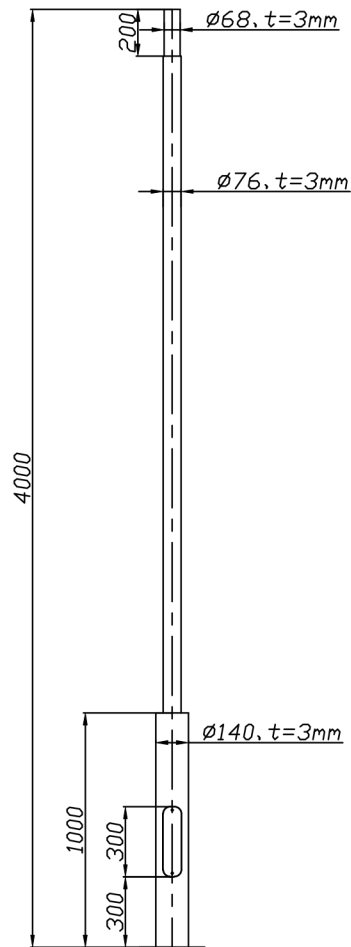


LPLPEA900

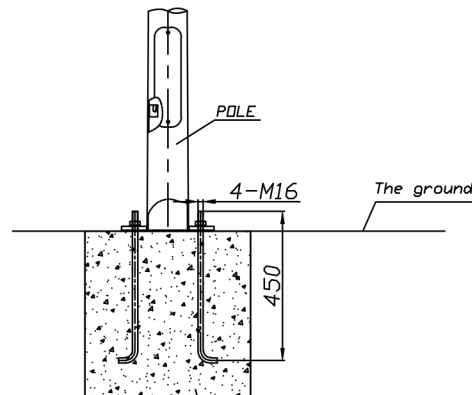
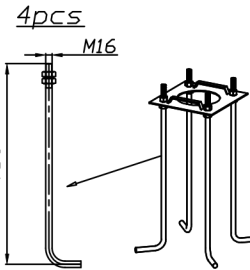
MAX LOAD : 30KG



LPLPEATB



ANCHOR BOLTS



Typical concrete footing. Subject to engineered geo report provided by others

TECHNICAL NOTES

- All dimensions are in millimeters.
- Steel thickness is at >85um.
- Pole warranty - 25 Years*.
- Not for coastal environments.
- Engineering certification for the footing provided by others.

		Light Planet Pty Ltd UNIT 2 / 5 Rocklea Drv, Port Melbourne, Vic 3207		
		PRODUCT NAME	LPLP4m	
DESIGN		MATERIAL	Q235	
		QUANTITY	1 Of	
APPROVAL	Yes	06.15.20	WEIGHT	34 Kg's